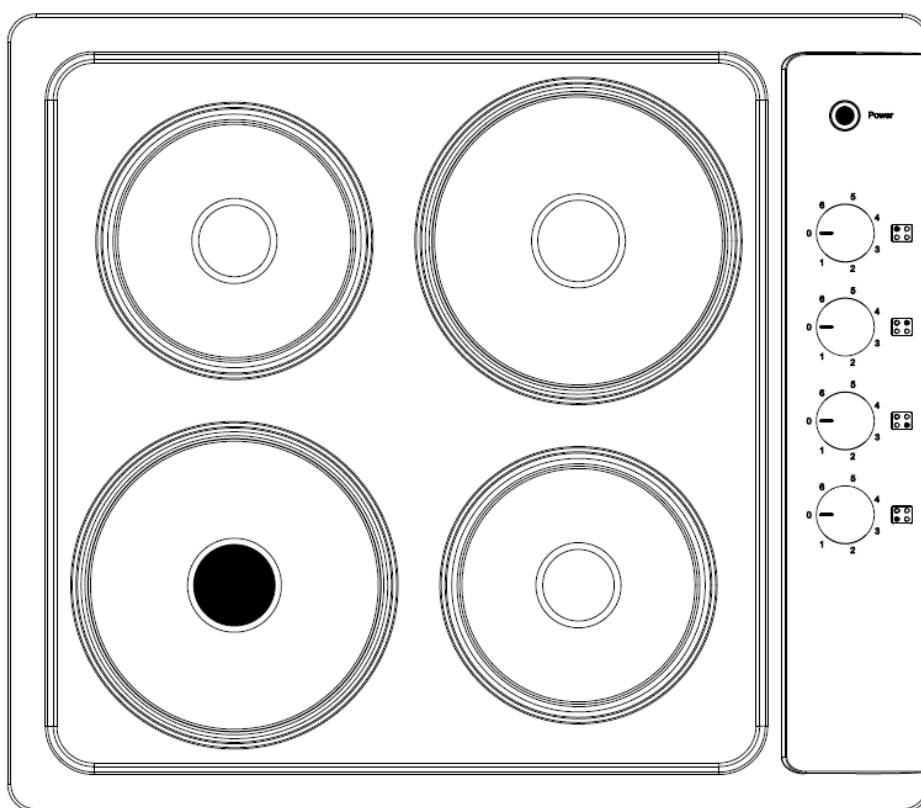


UBSPH60KCR

Solid Plate Hob

Instruction Manual



Content

Safety instructions.....	3-4
Installation.....	5-6
Description of the appliance.....	7
Operation.....	7-8
Maintenance and cleaning.....	9
Environmental note.....	9
Information for electric hob.....	10

Safety instructions

This User Instruction Manual contains important information, including safety & installation points, which will enable you to get the most out of your appliance. Please keep it in a safe place so that it is easily available for future reference; for you or any person not familiar with the operation of the appliance.



Caution!

- Do not use the cooker hob until you have read this instruction manual. The cooker hob is intended for household use only.
 - The appliance becomes hot during operation. Take care not to touch the hot surface.
 - Always keep children away from the cooker hob.
 - While in operation direct contact with the cooker hob may cause burns!
 - Ensure that small items of household equipment, including connection leads, do not touch the hob as the insulation material of this equipment is usually not resistant to high temperatures.
 - Do not leave the cooker hob unattended when frying. Oils and fats may catch fire due to overheating or boiling over.
 - Do not switch on the hob until a pan has been placed on it.
 - Do not put pans weighing over 25kg on the hob.
 - Do not use the cooker hob in the event of a technical fault. Any faults must be fixed by an appropriately qualified and authorized person.
 - In the event of any incident caused by a technical fault, disconnect the power and report the fault to the service centre to be repaired.
- The rules and provisions contained in this instruction manual should be strictly observed. Do not allow anybody who is not familiar with the contents of this instruction manual to operate the cooker hob.
 - The cooker hob should not be cleaned using steam cleaning equipment.
 - **IMPORTANT:** The adjacent furniture or housing and all materials used in the installation must be able to withstand a minimum temperature of 85°C above the ambient temperature of the room it is located in, whilst in use.
 - Any damage caused by the appliance being installed in contravention of this temperature limit, or by placing adjacent cabinet materials closer than 4mm to the appliance, will be the liability of the owner.
 - This appliance complies with all current European safety legislation. We do wish to emphasize that this compliance does not remove the fact that the appliance surfaces will become hot during use and retain heat after operation.

Child Safety

- We strongly recommend that babies and young children are prevented from being near to the appliance and not allowed to touch the appliance at any time.

- If it is necessary for younger family members to be in the kitchen, please ensure that they are kept under close supervision at all times.

General Safety

- Children less than 8 years of age shall be kept away unless continuously supervised.
 - This appliance can be used by children aged from 8 years and above and persons with reduced physical, sensory or mental capabilities or lack of experience and knowledge if they have been given supervision or instruction concerning use of the appliance in a safe way and understand the hazards involved. Children shall not play with the appliance. Cleaning and user maintenance shall not be made by children without supervision.
 - **NEVER** try to extinguish a fire with water, but switch off the appliance and then cover flame e.g. with a lid or a fire blanket.
 - **WARNING:** Danger of fire: do not store items on the cooking surfaces.
 - Means for disconnection must be incorporated in the fixed wiring in accordance with the wiring rules.
 - Do not allow electrical fittings or cables to come into contact with areas on the appliance that get hot.
- Do not use the appliance to heat the room it is located in or to dry clothing.
 - Do not install the appliance next to curtains or soft furnishings.
 - If the supply cord is damaged, it must be replaced by the manufacturer, its service agent or similarly qualified persons in order to avoid a hazard.
 - The appliance is not intended to be operated by means of an external timer or separate remote-control system.
 - This product can be worked but not through outside timer and remote control.
 - **WARNING:** If the surface is cracked, switch off the appliance to avoid the possibility of electric shock.
 - Do not leave pans with prepared dishes based on fats and oils unattended on the switched-on plate; hot fat can spontaneously catch fire.
 - **WARNING:** Use only hob guards designed by the manufacturer of the cooking appliance or indicated by the manufacturer of the appliance in the instructions for use as suitable or hob guards incorporated in the appliance. The use of inappropriate guards can cause accidents.

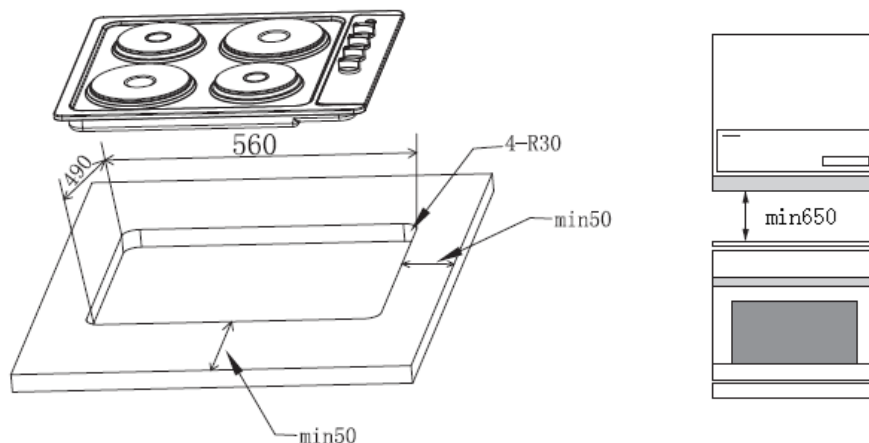
Installation

Installing the cooker hob

- The kitchen area should be dry and aired and equipped with efficient ventilation. When installing the ceramic, easy access to all control elements should be ensured.
- This is a Y-type design built-in ceramic, which means that its back wall and one side wall can be placed next to a high piece of furniture or a wall. Coating or veneer used on fitted furniture must be applied with a heat-resistant adhesive (100°C). This prevents surface deformation or detachment the coating.
- Hoods should be installed according to the manufacturer's instructions.

Assembly of cooker hob :

- Make an opening with the dimensions given in the diagram for the hob to be mounted on the worktop.
- Check seal for perfect fit and overall cover. Lower the electric hob into place and align correctly.
- Using a standard screwdriver, tighten the tension clamps evenly starting at the centre and moving diagonal, until the built-in rim is tight on the worktop.



(Unit: mm)

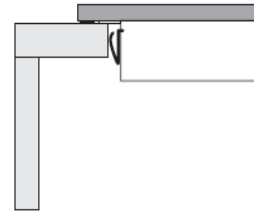
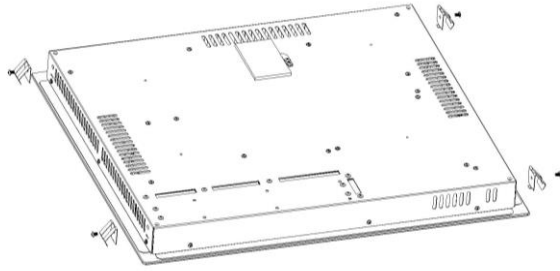
Installing the hob



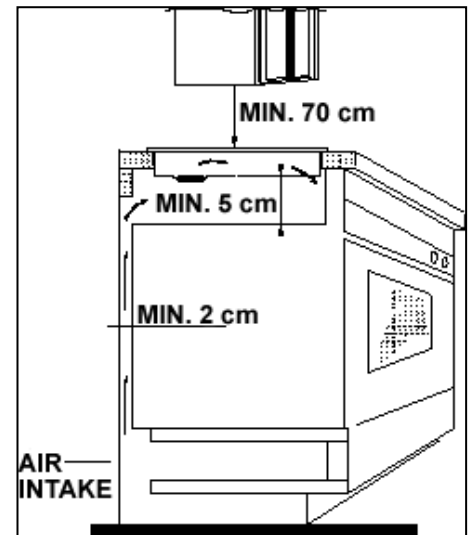
WARNING

- Risk of cutting.
- Be careful of cutting edges.
- End parts in foamed plastic - be careful.
- During transportation these could cause slight injury or cuts.

Remove the material and envelope of documents from the packaging. Before proceeding with installation read the work instructions carefully. Fix the brackets(4 pcs) on the front side and rear side by screw. Put the hob in the cut-out cabinet, and make it centered. Ensure that the front edge of the hob is parallel to the side edge of the work surface.



- **IMPORTANT:** You must observe the ventilation requirements shown in the drawing opposite.
- **IMPORTANT:** There are ventilation holes around the outside of the hob. YOU MUST ensure that these holes are not blocked by the work top, when you put the hob into position (see drawing opposite).
- **IMPORTANT:** Do not use a silicon sealant to seal the appliance against the aperture. This will make it difficult to remove the hob from the aperture in future, particularly if it needs to be serviced.
- Carefully turn the hob back over and then gently lower it into the aperture hole that you have cut out.




Fitting guidelines

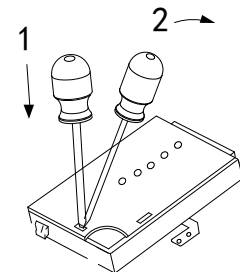
The voltage rating of the cooker hob heating elements is 230V. Adapting the cooker hob to operate with one-phase current is possible by appropriate bridging in the connection box according to the connection diagram below. The connection diagram is also found on the cover of the connection box. Remember that the connection wire should match the connection type and the power rating of the cooker hob.

The connection cable must be secured in a strain-relief clamp.

Warning!

Remember to connect the safety circuit to the connection box terminal marked with . The electricity supply for the ceramic hob must have a safety switch which enables the power to be cut off in case of emergency. The distance between the working contacts of the safety switch must be at least 3mm.

Before connecting the ceramic hob to the power supply it is important to read the information on the data plate and the connection diagram.



Power cable for this hob		
Model	Adaptive voltage range and wires	The wiring diagram
	220-240V 1N~ 50-60Hz	
UBCH60KCR	H05VV-F 3G2.5	<div style="border: 1px solid black; padding: 5px;"> <p style="text-align: center;">CONNECTION DIAGRAM</p> <p style="font-size: small;"> 220-240V~ H05VV-F 3G2.5 </p> <p style="font-size: small;"> 380-420V 2N~ H05VV-F 4G2.5 H05GC-F 4G2.5 H07RN-F 4G2.5 </p> </div>

- The cable connections must be in accordance with the diagram located on the bottom of the hob.
- The cable type must be connected to the corresponding power supply terminal box.
- You should use a good quality screwdriver to carefully, fully tighten ALL of the terminal screws.
- If when the hob is first switched on, only two of the zones work, you should recheck that the terminal screws are all fully tightened. This should be done before contacting the Customer Care Department.
- **IMPORTANT:** The appliance must NOT be connected to the mains supply by means of a 13A plug and socket.
- This appliance must be wired into a 30 A double pole switched fused spur outlet, having 3 mm contact separation and placed in an easily accessible position adjacent to the appliance. It should not be located above the appliance and no more than 1.25m away from it.
- The cable can be looped if necessary, but make sure that is not kinked or trapped when the hob is in position. Care must be taken to avoid the cable being in contact with hot parts of the appliance.

Replacing the mains supply cable

If the mains supply cable is damaged, then it must be replaced by an appropriate replacement.

The mains supply cable should be replaced in accordance with the following instructions:

- ✧ Switch the appliance off at the control switch.
- ✧ Open the terminal block on the underside of the hob.
- ✧ Unscrew the terminal screws fixing the cable.
- ✧ The “green-yellow” earth wire must be connected to the terminal marked \perp . It must be about 10 mm longer than the live and neutral wires.
- ✧ The “blue” neutral wire must be connected to the terminal marked with letter (N) - the live wire must be connected to the terminal marked with letter (L).

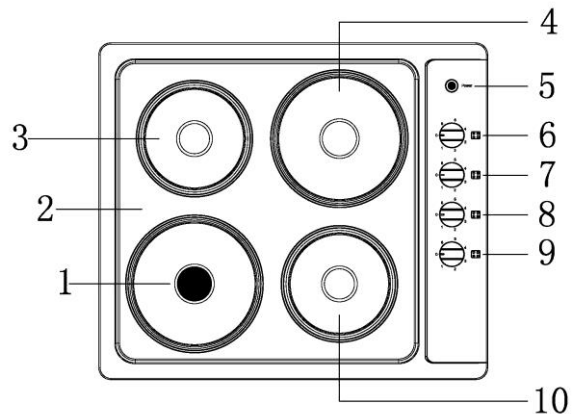


Caution!

Only qualified professionals can replace the power cable.

Description of the appliance

1. Front left hot plate ,Ø190mm ,2000W
2. panel
3. Rear left hot plate ,Ø150mm ,1000W
4. Rear right hot plate, Ø190mm,1500W
5. Operating light red
6. Rear left hot plate control knob
7. Rear right hot plate control knob
8. Front right hot plate control knob
9. Front left heating plate control knob
10. Front right hot plate, Ø150mm,1000W



Operation

Before first use

- Remove packaging, clean the interior of the hob.
- Switch on the ventilation in the room or open a window.

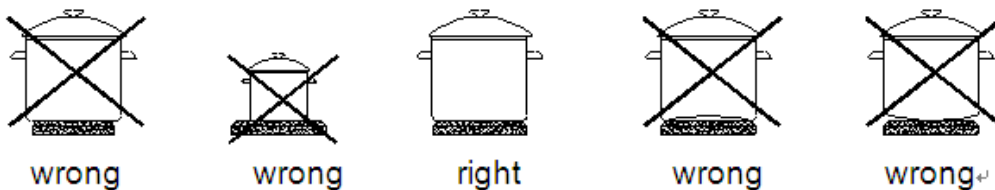
Important!

The inside of the oven should only be washed with warm water and a small amount of washing-up liquid.

How to use the hot plate

The level of heat can be adjusted gradually by turning the appropriate knob to the right or left. Switching on the plate results in a green signal light on the control panel turning on.

An appropriately selected pan saves energy. A pan should have a thick, flat base with a diameter equal to the plate diameter as in that case is transferred most efficiently.



Caution!

Ensure the heating plate is clean-a soiled zone does not transfer all of the heat.

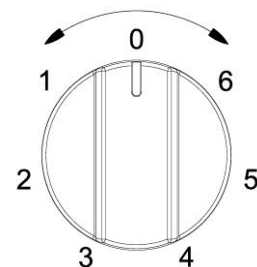
Protect the plate against corrosion.

Switch off the plate against corrosion.

Do not leave pans with prepared dishes based on fats and oils unattended on the switched-on plate; hot fat can spontaneously catch fire.

Heat level selection

- 0 Switch off
- 1 MIN. Warming up
- 2 Stewing vegetables, slow cooking



- 3 Cooking soups ,larger dishes
- 4 Slow frying
- 5 Grilling meat, fish
- 6 MAX. Fast heating up, fast cooking, frying

The stainless ornamental rings can be cleaned using washing liquids or gentle liquid scrubbing agents and wiped dry.

The surface of the hotplates should be regularly polished with white mineral oil or silicone oil. Never use animal or vegetable fats like butter, lard, oil etc. for the purpose.

The enamel working plate should be cleaned using warm water with a bit of washing liquid. larger stains can be removed using gentle scrubbing liquids.



Caution!

All repairs and regulatory activities should be carried out by the appropriate service centre or by an appropriately authorized fitter.



IMPORTANT: If your appliance appears not to be operating correctly, Please contact with dealer.



Caution!

DO NOT ATTEMPT TO REPAIR THE APPLIANCE YOURSELF.

Please note that if an engineer is asked to attend whilst the product is under guarantee and finds that the problem is not the result of an appliance fault, then you may be liable for the cost of the call out charge.

The appliance must be accessible for the engineer to perform any necessary repair. If your appliance is installed in such a way that an engineer is concerned that damage will be caused to the appliance or your kitchen, then he will not complete a repair.

Maintenance and cleaning

What?	How?	Important!
Everyday soiling on surface (fingerprints, marks, stains left by food or non-sugary spillovers on the surface)	<ol style="list-style-type: none"> 1. Switch the power to the electric hob off. 2. Apply an electric hob cleaner while the electric hob is still warm (but not hot!) 3. Rinse and wipe dry with a clean cloth or paper towel. 	<ul style="list-style-type: none"> • When the power to the electric hob is switched off, there will be no 'hot surface' indication but the cooking zone may still be hot! Take extreme care. • Heavy-duty scourers, some nylon scourers and harsh/abrasive cleaning agents may scratch the surface. Always read the label to check if your cleaner or scourer is suitable. • Never leave cleaning residue on the electric hob: the surface may become stained.
Spillovers on the power regulating controls	<ol style="list-style-type: none"> 1. Switch the power to the electric hob off. 2. Soak up the spill 3. Wipe the power regulating control area with a clean damp sponge or cloth. 4. Wipe the area completely dry with a paper towel. 	<ul style="list-style-type: none"> • Make sure you wipe the power regulating control area dry before turning the electric hob back on.

Environmental note

Note: Before discarding an old appliance, switch off and disconnect it from the power supply. Cut off and render any plug useless. Cut the cable off directly behind the appliance to prevent misuse. This should be undertaken by a competent person.

This appliance is marked according to the European directive 2002/96/EC on Waste electrical and Electronic Equipment (WEEE). By ensuring this product is disposed of correctly, you will help prevent potential negative consequences for the environment and human health, which could otherwise be caused by inappropriate waste handling of this product.



Information for Electric Hob

Cooking Hob	UBSPH60KCR
Cooking Zones	4 Zones
Supply Voltage	220-240V~50/60Hz
Installed Electric Power	5500W
Product Size L x W x H (mm)	590 x 510 x 55
Building-in Dimensions A x B (mm)	560 x 490

	Symbol	Value	Unit
Model identification	-	UBSPH60KCR	-
Type of hob	-	Electric hob	-
Number of cooking zones and/or areas	-	4	-
Heating technology (induction cooking zones and cooking areas, radiant cooking zones, solid plates)	-	Solid plates	-
For circular cooking zones or area: diameter of useful surface area per electric heated cooking zone, rounded to the nearest 5mm	∅	Left front zone: 19.0 Left rear zone: 15.0 Right front zone: 15.0 Right rear zone: 19.0	cm
For non-circular cooking zones or area: length and width of useful surface area per electric heated cooking zone, rounded to the nearest 5mm	L W	N/A	cm
Energy consumption per cooking zone or area calculated per kg	EC electric cooking	Left front zone: 190.1 Left rear zone: 186.4 Right front zone: 182.8 Right rear zone: 202.3	Wh/kg
Energy consumption for the hob calculated per kg	EC electric cooking	190.4	Wh/kg
Off power	-	0	W

IM UBSPH60KCR 20240605